

# Genie® GTH™ -5519

## Specifications

Models	GTH-5519	
Measurements	US	METRIC
Maximum lift height	18ft 10in	5.74 m
Maximum forward reach	11ft 3in	3.43 m
Reach at maximum height	1ft 10in	0.56 m
<b>A</b> Height, stowed	6ft 6in	1.98 m
<b>B</b> Length, stowed (without forks)	12ft 3in	3.73 m
Width	5ft 11in	1.80 m
<b>C</b> Wheelbase	7ft 6in	2.29 m
<b>D</b> Ground clearance, center	1ft 2in	0.36 m
<b>E</b> Ground clearance, axle	10in	0.25 m
Fork cross section	1.6×4in	40×100 mm

## Productivity

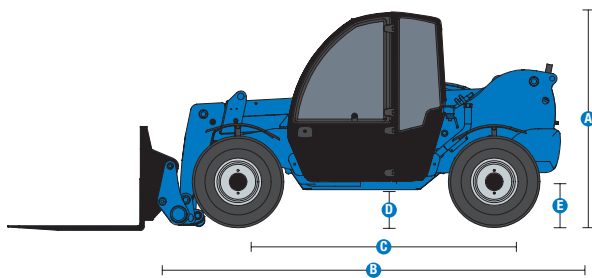
Maximum lift capacity	5,500 lb	2,495 kg
Lift capacity at maximum height	4,400 lb	1,996 kg
Lift capacity at maximum reach	1,900 lb	862 kg
Drive speed	15 mph	24 km/h
Draw bar pull/ Break out force	10,250 lb	4,649 kg
Turning radius, outside (4WS)	11 ft	3.35 m
Auxiliary hydraulic flow	17 gpm	64 lpm
Auxiliary hydraulic pressure	3,918 psi	270 bar
Tires, standard size	12×16.5in, 10 ply	0.30×0.42m, 10 ply

## Power

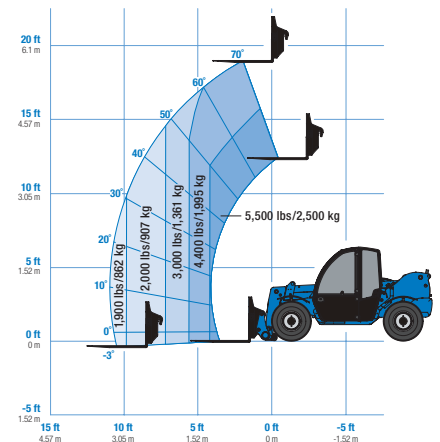
Power source	Diesel	
Electrical system voltage	12V	
Alternator	Deutz TCD 2.9 - 95 amp	
Battery	720 CCA 0°F (-18°C)	
Hydraulic tank capacity	18.5 gal	70L
Hydraulic system capacity (w/tank)	31.7 gal	120 L
Fuel tank capacity	15.8 gal	59.8 L

## Weight

Weight*	10,360 lb	4,700 kg
---------	-----------	----------



## Range of motion GTH-5519



(1) Weight will vary depending on options and/or country standards.  
 (2) Load ratings vary depending on attachment.

# Genie® GTH™ -5519

## SKU: Standard Model

- **GTH55191AF0112:** GTH-5519, 74 hp, Open cab
- **GTH55191AF0152:** GTH-5519, 74 hp, Closed cab w/ heater
- **GTH55191AF0151:** GTH-5519, 74 hp, Closed cab w/ AC and heater

\* Build to Order

Option availability	S	S+	BtO
<b>Cab</b>			
Open cab ROPS/FOPS canopy	✓	✓	✓
Closed cab: Heater, defrost, wipers, washer, split door			○
Closed cab: AC, heater, defrost, wipers, washer, split door			○
Front and top glass		○	○
Lift Guard White Noise Alarm		○	○
Rear Proximity Alarm		○	○
Fire extinguisher		○	○
3in/7.6cm high visibility red retractable seat belt	✓	✓	✓
Adjustable suspended seat	✓	✓	✓
Backup alarm	✓	✓	✓
Full gauge cluster with engine diagnostics	✓	✓	✓
Fully proportional boom and auxiliary hydraulic controls	✓	✓	✓
Machine level indicator	✓	✓	✓
Mirrors - LH canopy mounted and RH chassis mounted	✓	✓	✓
Multi-function joystick controller	✓	✓	✓
Power steering	✓	✓	✓
RH steel mesh screen	✓	✓	✓
Tilt steering wheel	✓	✓	✓
Top glass	✓	✓	✓
<b>Chassis</b>			
74 hp, Deutz TCD 2.9, T4f, Side-mounted engine	✓	✓	✓
Telematics-ready	✓	✓	✓
Lift Connect Telematics		○	○
Lift Connect with Access Manager upgrade		○	○
Brick guard		○	○
Cold weather package			○
Electric oil pan heater			○
Fenders set of four	✓	✓	✓
Lojack stolen vehicle recovery system			○
Positive air shutdown system			○
Flashing Beacon		○	○
Work lights: High output LED cab, boom, rear		○	○
Road and work lights: High output LED front, cab, boom, rear		○	○
Air-filled non-marking tires		○	○
Air-filled rough terrain tires		✓	○
Air-filled turf tires		○	○
Foam-filled rough terrain tires		○	○
Solid rough terrain tires		○	○
3-mode steering (2-wheel, 4-wheel and crab) with limited slip front differential	✓	✓	✓
Cold start intake glow plugs	✓	✓	✓
Full time 4WD with front limited slip differential (LSD)	✓	✓	✓
Internal multiple wet disc brakes	✓	✓	✓
Spring applied, hydraulic release parking brake	✓	✓	✓
Variable speed hydrostatic drive	✓	✓	✓
<b>Boom</b>			
Genie manual Quick-Attach (QA) system	✓	✓	✓
Genie hydraulic Quick-Attach (QA) system			○
Auxiliary hydraulic circuit (18.5 GPM)	✓	✓	✓
Boom angle indicator	✓	✓	✓
Lifting shackle at boom tip	✓	✓	✓
Self-leveling fork frame	✓	✓	✓
<b>Attachment</b>			
QA Carriage, 48in/1.2m	○	○	○
QA Side shift carriage, 48in/1.2m (4in/.1m R/L)	○	○	○
QA Side tilt (rotating) carriage, 48in/1.2m	○	○	○
Universal skid steer adapter	○	○	○
QA Bucket, bolt-on cutting edge, 66in/1.67m (.5/.65yd3)	○	○	○
QA Scrap grapple bucket, 78in/1.9m (.68/.83yd3)	○	○	○
QA Truss boom, 6ft/1.83m, 2000lb/907kg	○	○	○
Pallet forks, 48in (1.75×4×48in)/(.04x.1×1.2m) - set of 2	○	○	○
Pallet forks, 60in (2×4×60in)/(.05x.1×1.5m) - set of 2	○	○	○
Cubing tines, 48in (2×2×48in)/(.05x.05×1.2m) - set of 4	○	○	○

- S Standard
- S+ Standard +
- BtO Build to Order
- ✓ Standard Features
- Options



Compact Footprint



Lift Shackle



Material Handling Attachments



### Other Accessories<sup>(1)</sup>

- Fire extinguisher

(1) More accessories available from Genie Genuine Parts.

Product specifications are subject to change without notice or obligation. Photographs and/or drawings herein are for illustrative purposes only. Refer to the appropriate Operator's Manual for instructions on proper equipment use. Failure to follow instructions in the Operator's Manual may result in serious injury or death. The only warranty applicable to our equipment is the standard written warranty applicable to the particular product and sale and we make no other warranty, express or implied. Products and services listed may be trademarks, service marks or trade names of Terex Corporation and/or their subsidiaries in the USA and many other countries. Terex, Genie, Quality By Design, Xtra Capacity, Lift Power, Lift Guard, Lift Tools, Lift Connect and Tech Pro Link are registered trademarks of Terex Corporation or its subsidiaries.

06/23

