

WHEELED EXCAVATOR

takeuchiTM
From World First to World Leader

TB395W



Operating Weight: 10,625 kg

TOUGH, POWERFUL, RELIABLE



8" Touch Screen Display



Intuitive Operation



Multi Function Grips (OPT)



Pressure Adjustment (OPT)

Takeuchi prides itself on continuous product improvement and refinement. This is evident in the TB395W which features a deluxe high definition color touch screen monitor, as well as a jog dial that allows the operator to easily navigate various functions that include the DAB radio with Bluetooth functionality and HVAC settings. An optional 270 degree camera system provides the operator greater peace of mind by delivering a much better field of view around the rear and sides of the machine. LED head lights and tail lamp provide excellent visibility in low light conditions. The TB395W wheeled undercarriage is now available in optional, four wheel, or crab steering modes allowing the operator to choose the mode that best fits their application. Auto cruise control enables the operator to set and adjust travel speed in both low and high range by setting the desired speed via the rocker switch set button or through the optional multi-function grip, and it is ideal for attachments that require a consistent travel speed such as a masticator or mower. Serviceability of the TB395W is unmatched with the overhead opening engine hood and right side cover ensuring that daily inspections can be carried out timely and efficiently to minimize downtime.



Completely Redesigned Automotive Styled Interior with Intuitive User's Operation

Product Features & Specifications

ENGINE

- EU Stage V / EPA Tier 4 Emission Compliant
- DOC+DPF+SCR Exhaust After Treatment
- Automatic Fuel Bleed System
- Double Element, Air Cleaner
- Automatic Deceleration
- Working Modes: Standard and ECO
- Engine Safety Start System on the Left Console
- Engine Auto Stop
- Fuel Supply Pump w/ Reel System
- Hydraulic Fan Drive for Radiator
- Reversible Fan for Radiator (optional)

ELECTRICAL

- 8" Color Touch Screen Display
- Multi-Switch Control Panel & Jog Dial Control
- E/H Control for Dozer Blade, Boom Swing and Adjust Cylinder
- LED Light Package ; Right Cover, Boom, Front Cab, and Rear Cab
- LED Head Lights, Turn Signals and Tail Lamps
- TFM (Takeuchi Fleet Management, GPS)
- Rear View Monitor
- LED Additional Boom Light (optional)
- LED Arm Position Lamp (optional)
- Back Buzzer (optional)
- TSS (Takeuchi Security System, Immobilizer) (optional)*
- 270° View Monitor (optional)

OPERATOR'S STATION

- ROPS/TOPS/OPG (TOP Guard, Level I)
- Air Suspension Seat with Heat
- Tilttable Steering Wheel
- 2" Retractable Seat Belt
- Cab with Automatic Climate Control System, Windshield Wiper and Washer, Skylight w/ Sunshade, 24V Power Outlet and DAB Radio with Bluetooth
- Smartphone Holder with USB Port
- Rain Guard (Optional)
- OPG Level II Tilttable Roof Guard (Optional)
- OPG Level II Front Guard (Optional)

UNDERCARRIAGE AND FRAME

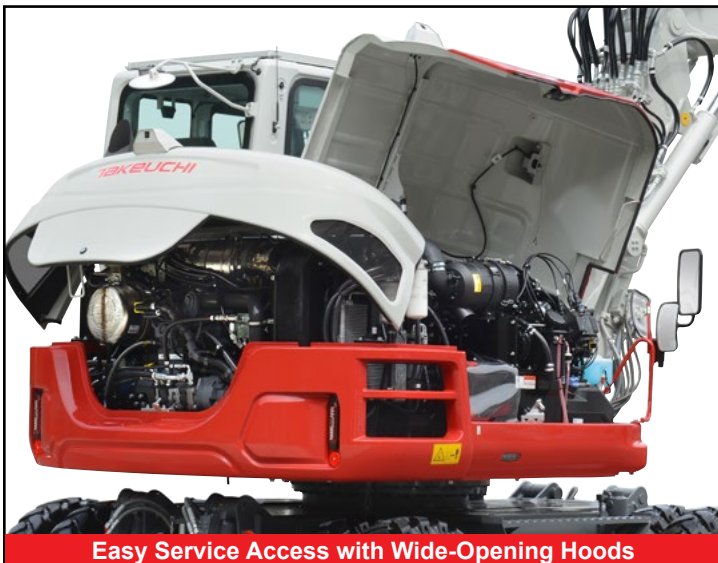
- 2 Wheel Steering (2WS)
- 8.25-20, 14 PR Twin Tires
- Auto Cruise Control
- Heavy Duty Dozer Blade
- Large Wrap Around Counterweight
- Check Valve, Dozer Blade
- Front Axle Hub Brake
- Parking Brake
- Ram Lock
- Diff Lock
- Tool Box
- 275/70R22.5 Gapless Twin Tire (optional)
- 4-Wheel Steering (4WS) : All-Wheel Steering and Crab Steering (optional)
- Outrigger (optional)
- Mud Guards (optional)
- Additional Tool Box (optional)

HYDRAULIC

- Load Sensing Hydraulic System
- Hydraulic Joystick Controls
- Proportional Control for Service Port 1
- Detent for Service Port 1
- Proportional Control for Service Port 2
- Service Port 3 for Quick Hitch (optional)
- Proportional Control for Service Port 4 (optional)
- Independent Service Port 4 with Multi-Functional Grips (optional)
- Auxiliary Hydraulic Circuit Plumbed to Arm
- Adjustable Auxiliary Flow for Service Port 1, 2, and 4
- Pilot Accumulator
- Auto Tank for Service Port 1
- Service Port Performance Package ; Auto Pressure Release for SP1 & SP2, Pressure Adjustment for SP1 & SP2 and High Pressure for SP1 (optional)

WORKING EQUIPMENT

- 2-Piece Variable Angle Boom
- Cushioned Boom, Arm and Swing Cylinders
- Boom Swing Stopper
- Boom Holding Valve w/ Lift Alarm
- Arm Holding Valve
- Adjust Cylinder Holding Valve
- Lifting Point of Bucket Linkage (optional)



Easy Service Access with Wide-Opening Hoods



4-Wheel Steering for Various Applications (OPT)

*Functions may not be available in all countries, so please consult your Takeuchi dealer for details.

OPERATING PERFORMANCE

Operating Weight	
w/ Rear Dozer Blade Only	10,225 kg
w/ Dozer Blade and Outrigger	10,625 kg
Bucket Capacity (Heaped)	0.245 m ³
Slew Speed	9.7 min ⁻¹
Travel Speed	
Low Speed 1	5.6 km/h
High Speed 1	15.6 km/h
Low Speed 2	10.5 km/h
High Speed 2	29.1 km/h
Gradeability	35°
Maximum Bucket Digging Force	58.9 kN
Maximum Arm Digging Force	39.7 kN
Traction Force	57.8 kN
Boom Swing Angle (Left/Right)	68° / 59°

ENGINE

Model	DEUTZ / TCD3.6 L4
Rated Output (ISO 14396)	85.0 kW / 2,200 min ⁻¹
Maximum Torque	460 Nm / 1,600 min ⁻¹
Displacement	3,621 ml
Alternator	28V - 2.24 kW
Battery (IEC 60095-1)	12V - 90 A·h X2

FLUID CAPACITY

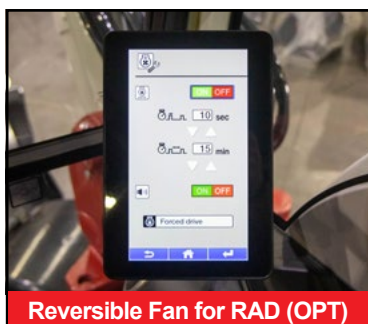
Engine Lubrication	10 L
Cooling System	24 L
Fuel Tank Capacity	162 L
Hydraulic Reservoir Capacity	91.6 L
Hydraulic System Capacity	205 L
DEF Tank Capacity	10 L

HYDRAULIC SYSTEM

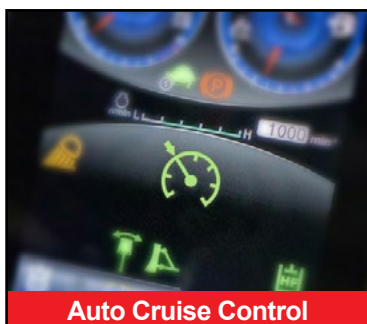
Boom, Arm, Bucket, Blade, SP1 and SP2	
Flow Rate	176 L/min
Relief Pressure	27.5 MPa
Slew	
Flow Rate	59.6 L/min
Relief Pressure	26.0 MPa
Travel	
Flow Rate	156.0 L/min
Relief Pressure	35.0 MPa
Service Port 1	
Flow Rate	120.0 L/min
Hydraulic Pressure	21.0 MPa
Hydraulic Pressure (Optional)	27.5 MPa
Service Port 2	
Flow Rate	55.0 L/min
Hydraulic Pressure	21.0 MPa
Service Port 3	
Hydraulic Pressure	21.0 MPa
Service Port 4	
Flow Rate	55.0 L/min
Hydraulic Pressure	21.0 MPa

SAFETY and HEALTH

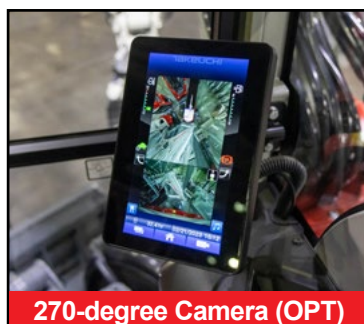
Vibration Levels	
Hand / Arm	≤ 2.5 m/s ²
Body	≤ 0.5 m/s ²
Noise Level	
Sound Power Level	L _{WA} 99 dB



Reversible Fan for RAD (OPT)



Auto Cruise Control

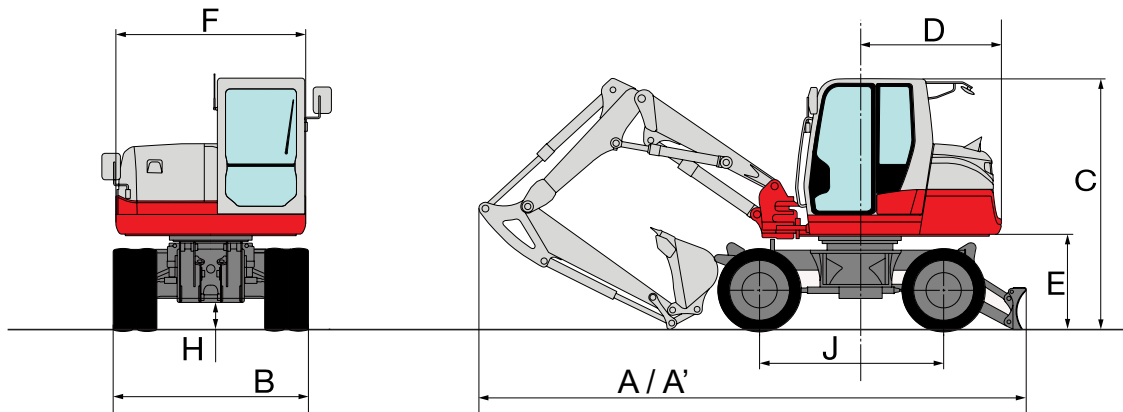


270-degree Camera (OPT)



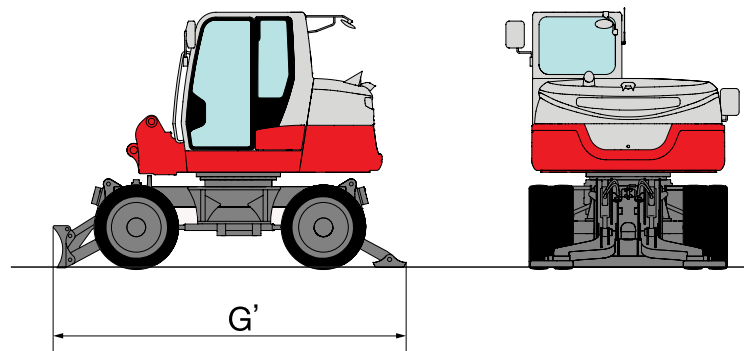
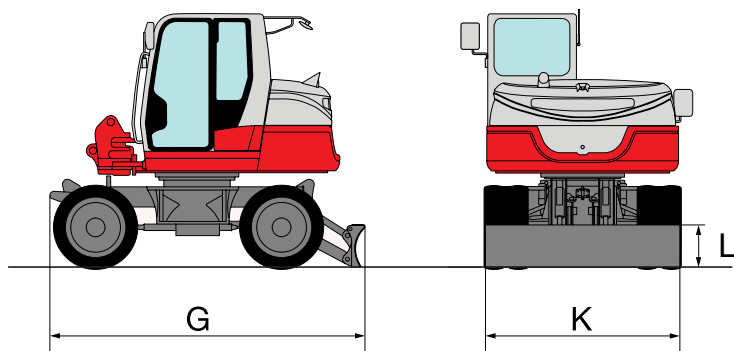
Tilttable Roof Guard (OPT)

TB395W Wheeled Excavator



Rear Dozer Blade

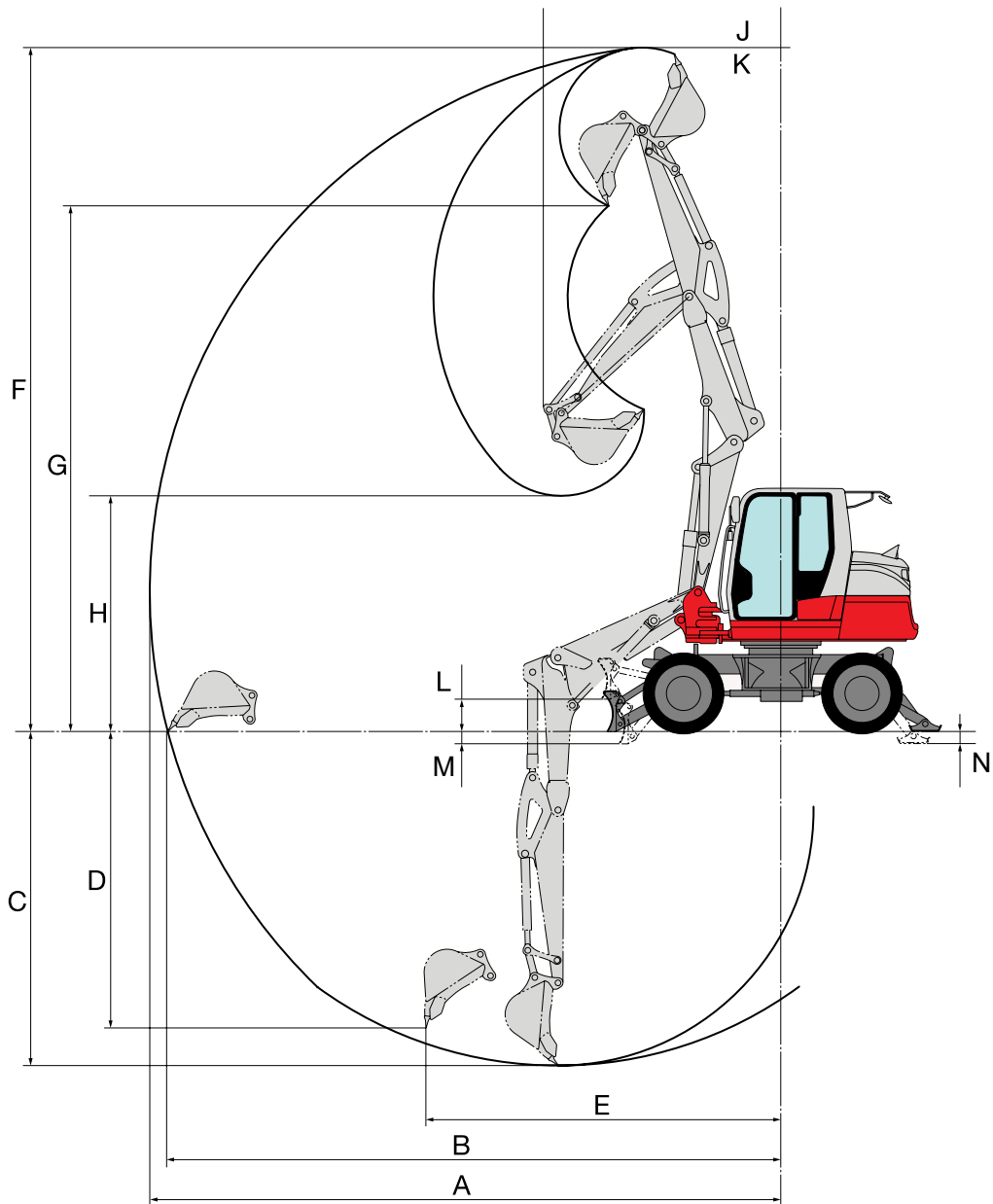
Front Dozer Blade and Rear Outrigger



MACHINE DIMENSIONS

A Overall Length with Rear Dozer Blade	* 6,555 mm / 5,580 mm
A' Overall Length with Front Dozer Blade and Rear Outrigger	* 6,790 mm / 5,440 mm
B Overall Width	2,320 mm
C Overall Height	3,020 mm
D Slew Radius	1,690 mm
E Clearance Height Under Upper Structure	1,115 mm
F Overall Width of Upper Structure	2,270 mm
G Overall Length of Undercarriage with Rear Dozer Blade	3,745 mm
G' Overall Length of Undercarriage with Front Dozer Blade and Rear Outrigger	4,165 mm
H Ground Clearance of Undercarriage	320 mm
J Wheel Base	2,200 mm
K Dozer Blade Width	2,300 mm
L Dozer Blade Height	500 mm

* SHIPPING POSITION / TRAVEL POSITION



MACHINE DIMENSIONS

A	Maximum Reach	7,675 mm
B	Maximum Reach at Ground Level	7,450 mm
C	Maximum Digging Depth	4,095 mm
D	Maximum Vertical Digging Depth	3,525 mm
E	Reach at Maximum Vertical Digging Depth	4,775 mm
F	Maximum Height of Cutting Edge	8,260 mm
G	Maximum Dumping Height	6,240 mm
H	Minimum Dumping Height	2,605 mm
J	Front Swing Radius	2,445 mm
K	Front Swing Radius with Boom Offset (Left / Right)	2,255 mm / 2,010 mm
L	Dozer Blade Maximum Lifting Height	400 mm
M	Dozer Blade Maximum Lowering Depth	150 mm
N	Outrigger Maximum Lowering Depth	150 mm