

# PRODUCT SPECIFICATIONS



EQUIPTER®  
TOW-A-LIFT



DRIVE  
TOW  
LIFT



The Towable Forklift

# PROJECTED SPECIFICATIONS

Empty Weight  
**2,500 lbs**

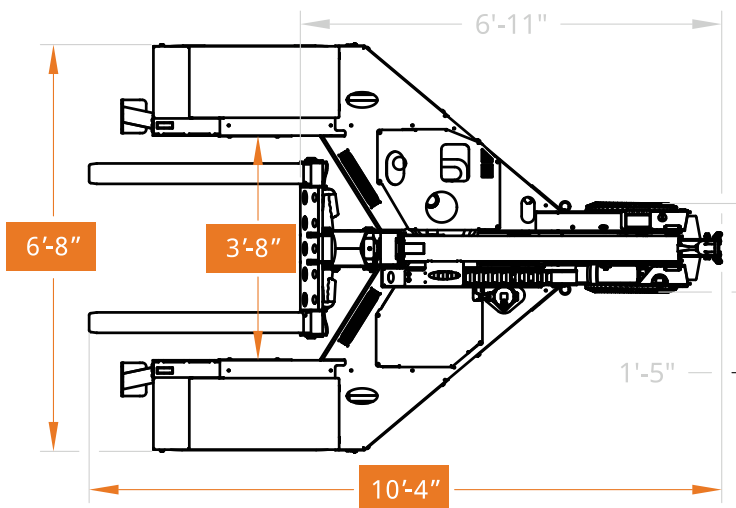
Lift Capacity  
**3,500 lbs**

Lift Height  
**8'-0"**

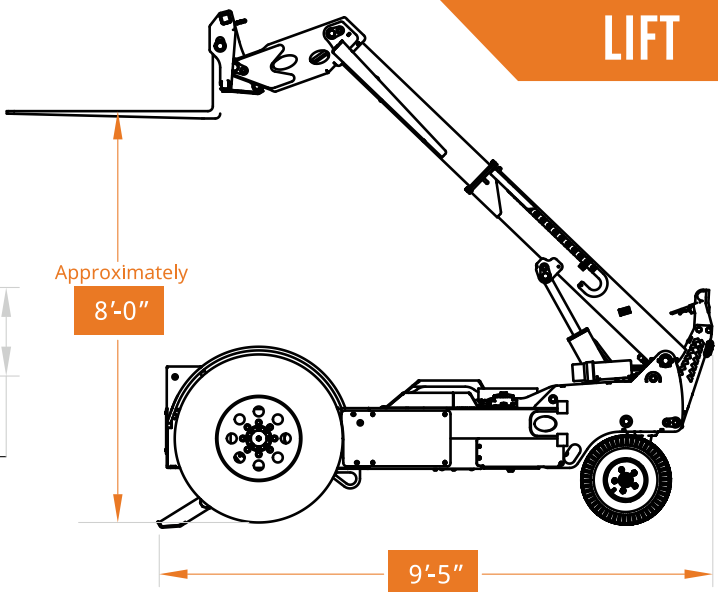
SPECIFICATIONS		FEATURES
Tow Mode Length	11'-4"	Telescoping boom
Work Mode Length	9'-5"	42" pallet fits between wheels
Height	3'-2"	Forks fold up and lock for towing
Width	6'-7"	Hitch swings down for towing
Engine	Vanguard	Wheels disengage for towing
Engine Horsepower	14 hp	Radio control
Drive Tire Size	315/75R16	
Swivel Tire Size	18"	
Fork Length	42"	

# PROJECTED DIMENSIONS

DRIVE / TOW



LIFT



[equipter.com/products/tow-a-lift](https://equipter.com/products/tow-a-lift)

[sales@equipter.com](mailto:sales@equipter.com) | 717-661-3591



Patented technology: see all of our patents at <https://newheightsmfg.com/patents>